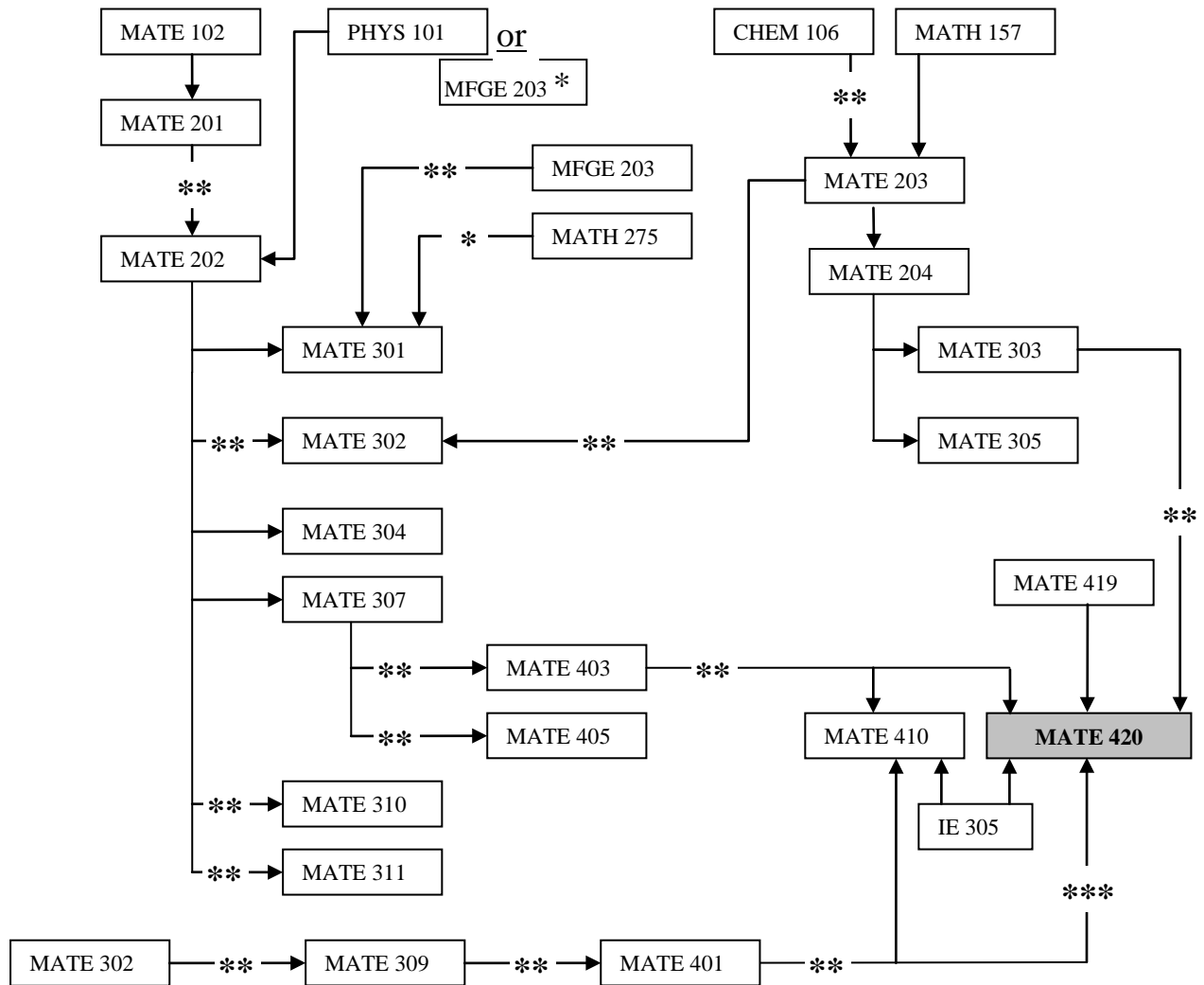


DEPARTMENT of METALLURGICAL & MATERIALS ENGINEERING

Departmental Course Prerequisites (Aug 20, 2014)



* any grade from these prerequisite courses but NA.

** any grade from these prerequisite courses but NA & FF.

*** For MATE 420, in addition to those prerequisites already shown in the chart above, all first & second year courses and at least one departmental technical elective course must have been taken and succeeded. However, this requirement may be waived for a maximum of three non-MATE first & second year courses, and is subjected to the approval of the Department.

Prerequisite Courses for Summer Practice:

MATE 300: must have passed the following courses (MATE 101, COMPE 101, MATE 102, CHEM 106, MFGE 156, MATE 201) + must have taken the following courses (ENG 204, MATE 202, MATE 203) and passed at least two of these three.

MATE 400: MATE 300 + must have taken at least eight of the following eleven courses (MATE 301, MATE 302, MATE 303, MATE 311, ECON 211, MATE 304, MATE 305, MATE 307, MATE 309, MATE 310, IE 305) and must have passed at least seven of these courses.

Nondepartmental Course Prerequisites:

